

**DT72**  
TRAILER

**SOSlocation.ca**  
LOCATION • FORMATION  
**SOSequipment.com**  
VENTE • PIÈCES • TRANSPORT



**DT22**  
TRAILER

**cela**  
industry

## STANDARD EQUIPMENT

Double telescopic extension booms

Rear oriented boom position

High torque drive system

Auto levelling basket

Hydraulic outriggers

Outrigger interlocks

Easy to access batteries

Dual power sources - diesel engine and 110/220VAC electric / lithium available

Fully electronic proportional hydraulic controls driven by can-bus system

110/220V Power supply to the basket

Electronic controlled level alarm/sensor

Hitch pull bar

Hour meter

2 people basket (140x70x110 cm / 55x27x43 in)

All function radio control

Telescopic boom painting: blue RAL 9010 - white RAL 9010

Cylinders, turret and pistons painting: white RAL 9010

Automatic stabilization (optional)

Remote management and diagnostic software (optional)

## OPTIONS & ACCESSORIES

Anti debris brushes on booms

Small personnel basket (70x70x110 cm or 27x27x43 in)

Large personnel basket (180x70x110 cm or 70x27x43 in)

Fiberglass basket (optional 1 kV insulation)

Hoist hook (max 260 kg or 573 lbs)

Radio controlled winch (max 230 kg or 507 lbs)

Material handling cage (max 200 kg or 441 lbs)

Security belts

Illuminated outrigger indicators

One click auto-closing switch

Dead man pedal in the basket

Air/water connection line between basket and turret, max pressure 100bar

Ultrasonic anti collision alarm for basket protection

Remote management and diagnostic software

N.4 ground use plates for stabilization

Custom paint options available (upper and lower sections)

Customized stickers with customer logo

Up to 5 years extended warranty

## STANDARD TRAILER FEATURES

Hydraulic drive controlled by remote control

Stabilization controlled by remote control

Low center of gravity that allows for highly safe drivability

Single jockey wheels

Hydraulic brakes

Foldable cyclist protection bar

Side marker lights

Removable light bar

## UNIQUE

Unbeaten working envelope

Unmatchable ultra wide negative working envelope

Highest up & over in the Industry

Very low centre of gravity, impressive drivability

## STANDARD COMPLIANCE

ANSI 92.20

UNI EN 280

CSA B354.6

CE

Crane certification (EN 12999 standard certified)



## PERFORMANCE

	<i>metric</i>	<i>US</i>
Working height	22 m	72 ft 2 in
Platform height	20 m	65 ft 7 in
Horizontal outreach	9 m	29 ft 6 in
Up and over clearance	14 m	45 ft 11 in
Negative work (below ground level)	-3 m	-9 ft 10 in
Lift capacity - standard (ANSI - CSA - CE - AUS)	230 kg	507 lbs
Lift capacity - rotating platform (ANSI - CSA - CE - AUS)	230 kg	507 lbs
Self leveling platform	5°standard	5°standard
Platform rotation	180°	180°
AC power to platform	standard	standard
Turntable rotation	720°	720°
Outrigger leveling capability	≈ 5°	≈ 5°
Gradeability	10°/13°	49%
To be jacked up on ground slope max	12°	12°
Slope angle	11°	11°
Drive speed	1,12 km/h	0,70 mph
Towing speed rate	97 km/h	60 mph
Tongue weight	100 kg	220 lbs
Surge parking & brakes	standard	standard
Controls	electronic multifunction highly proportional controls	
Tyre size	215/75 R17,5	215/75 R17,5
Coupler	5 cm	2 in
Live load/Max pressure in travelling position	4,3 kN/m2	90 lbs/ft2
Live load/Max pressure in working position	2,5 kN/m2	52,2 lbs/ft2
Point load per outrigger plate	22 max Kn	4946 lbs
Size of outrigger plate	200 mm	7,8 in

## MEASUREMENTS

	<i>metric</i>	<i>US</i>
Center of gravity	1,1 m	3 ft 7 in
Platform length	0,7 m	2 ft 4 in
Platform width	1,4 m	4 ft 7 in
Height - stowed	2,085 m	6 ft 10 in
Length - stowed	5,95 m	19 ft 6 in
Width - stowed "(lightbar is demountable)"	1,85 m	3 ft 3 in
Ground clearance - center	0,275 m	11 in
Length - outrigger footprint stowed	3,650 m	9 ft 10 in
Length - outrigger footprint	4,815 m	13 ft 2 in
Width - outrigger footprint stowed	2,470 m	6 ft 7 in
Width - outrigger footprint	3,600 m	9 ft 10 in

## POWER

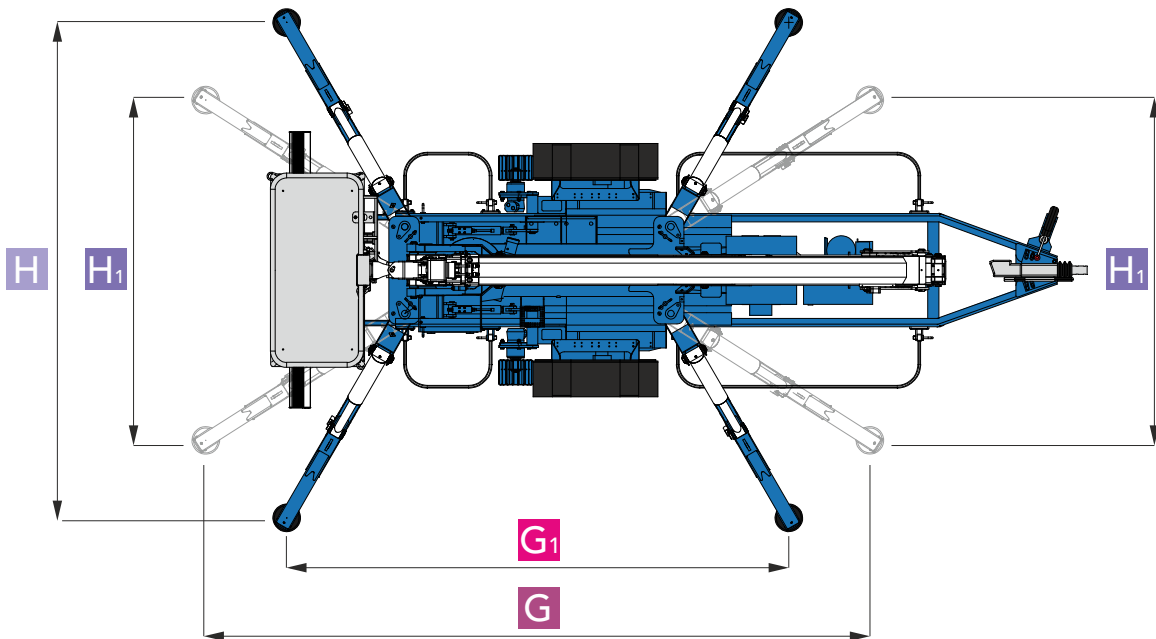
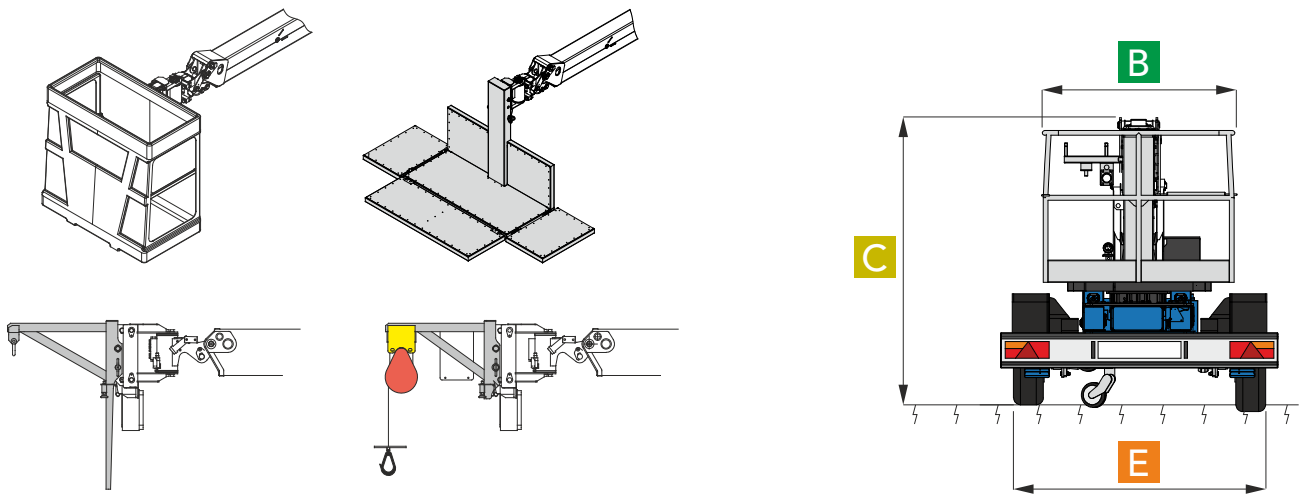
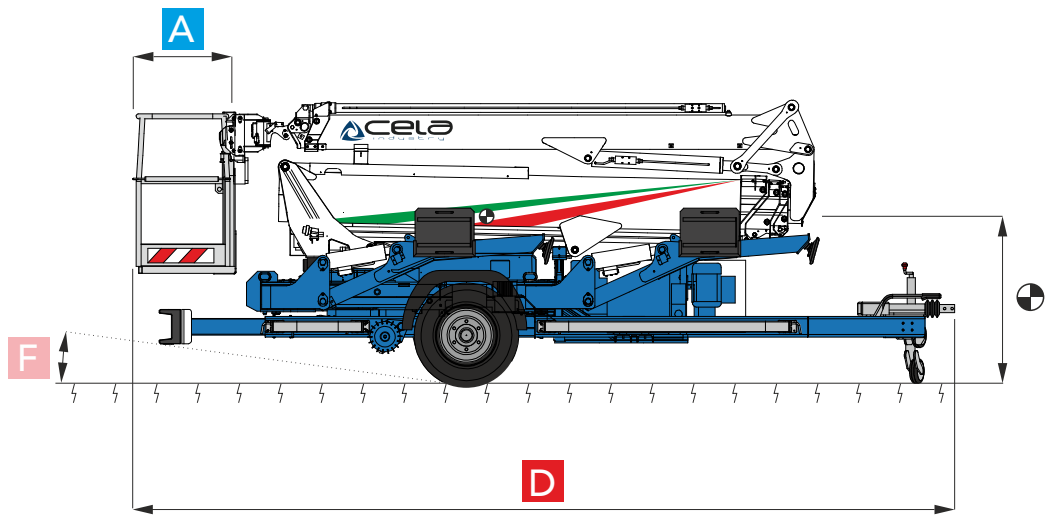
	<i>metric</i>	<i>US</i>
Multifunction proportional hydraulic flow-sharing distributor		
Power source drive - standard	diesel and electric	diesel and electric
Power source - option	lithium	lithium
Fuel tank capacity	15 lt	3,9 gals
Hydraulic tank capacity	120 lt	31,7 gals
Hydraulic system capacity	150 lt	40 gals

## SOUND & VIBRATION LEVELS

	<i>metric</i>	<i>US</i>
Sound pressure level (diesel)	< 96 dBA	< 96 dBA
Sound pressure level (electric)	< 56 dBa * internally tested	< 56 dBa * internally tested

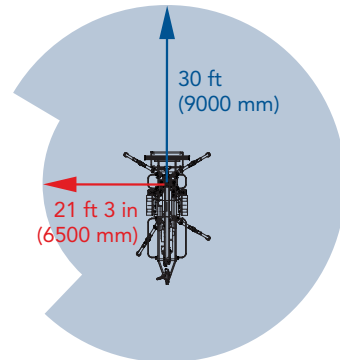
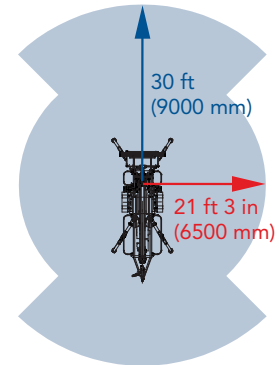
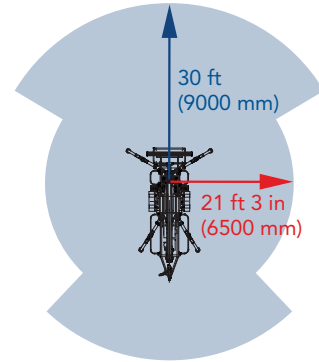
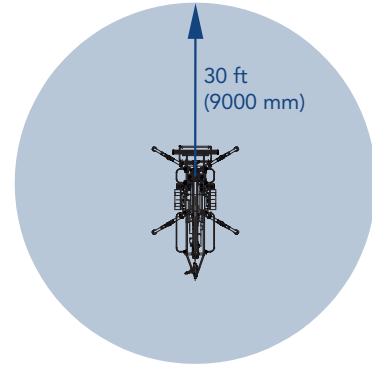
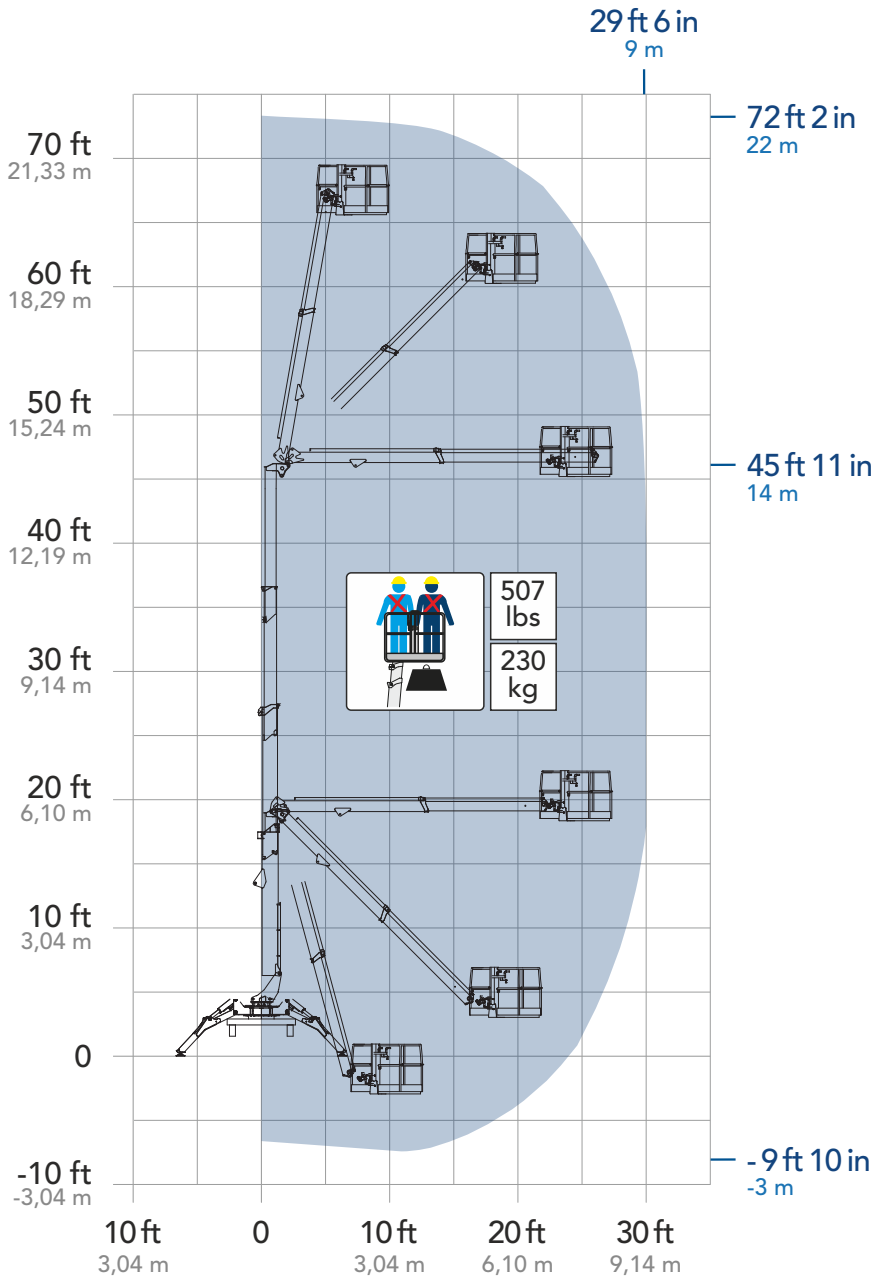
## WEIGHT

	<i>metric</i>	<i>US</i>
Weight CE	2950 kg	6503 lbs



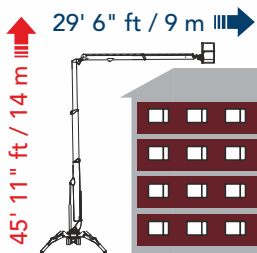
	<i>metric</i>	<i>US</i>
Working height	22 m	72 ft 2 in
Horizontal reach	9 m	29 ft 6 in
Up and over clearance	14 m	45 ft 11 in
Negative work (below ground level)	-3 m	-9 ft 10 in

360° CONTINUOUS

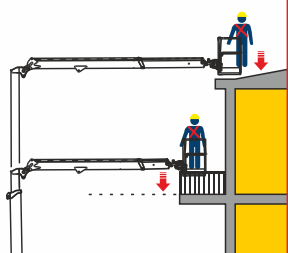




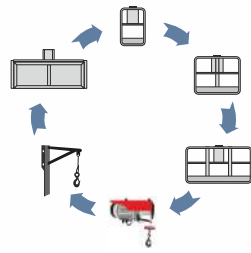
We fly all over



Manufacturer authorized exit at height



Multipurpose lifting options



Like an elevator

