

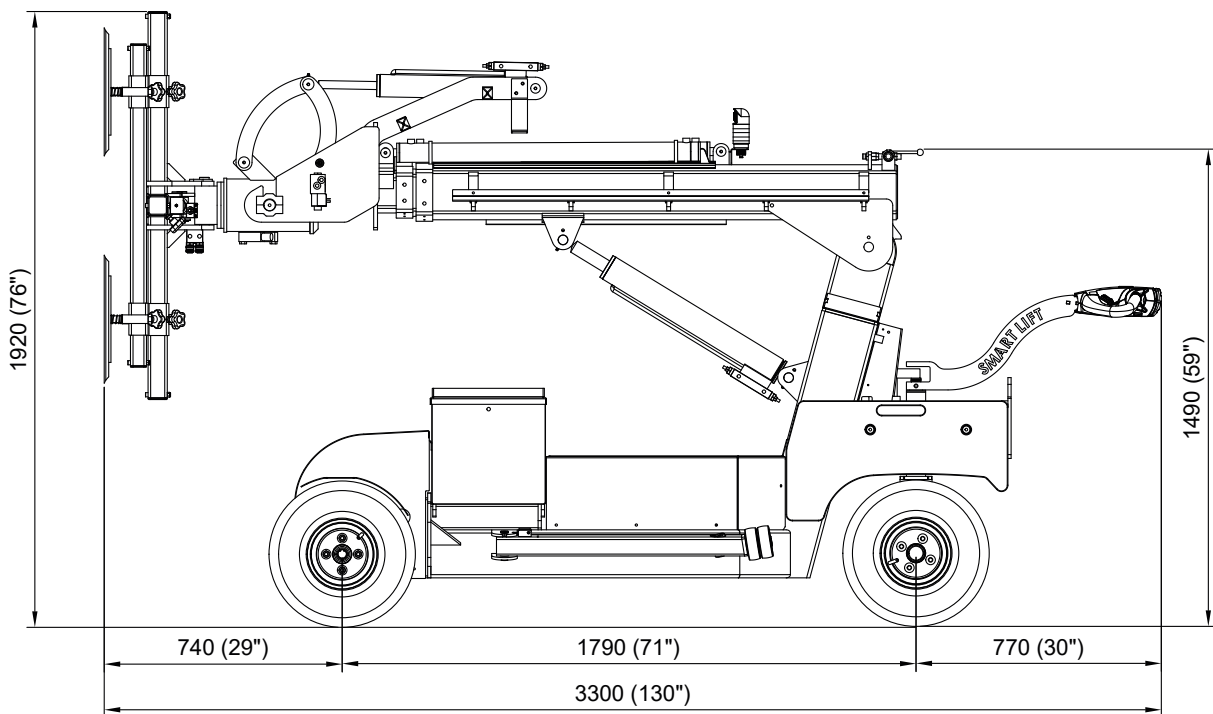
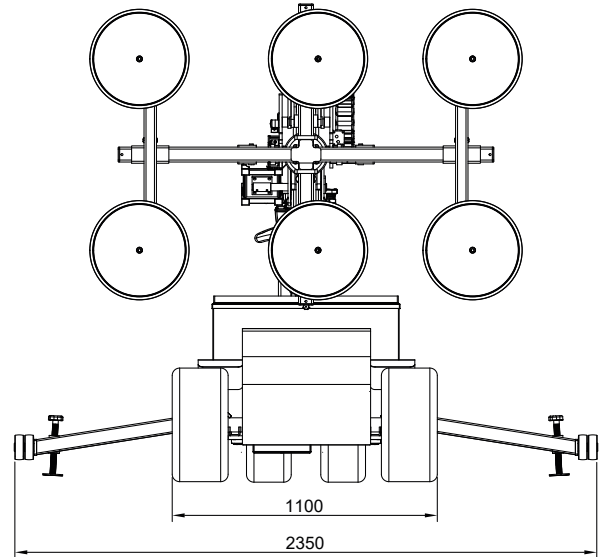


**SMARTLIFT®**

## SL 808 OUTDOOR

### TECHNICAL SPECIFICATIONS

Lifting cap. arm in/out	820 / 200 kg - 1,810 / 440 lbs.
Lifting height	4,400 mm / 173 in.
Extension of arm	2 x 830 mm / 2 x 33 in.
Tip from horizontal	42° back / 86° fwd.
Side shift	100 mm / 4 in.
Charging voltage	230V / 110V
Charging time	Approx. 8 hrs.
Battery	4 x 134 Ah AGM
Running period	Up to 8 hrs.
Front-wheel drive	2000 W AC
Suction pads	4 x Ø400mm & 2 x Ø300mm / 4 x Ø16 in. & 2 x Ø12 in.
Width	1,010 mm / 40 in.
Curb weight	1,300 kg / 2,860 lbs.
Class	IP 65



**SOSlocation.ca**  
VENTE · LOCATION · SERVICE · TRANSPORT  
1-833-360-3330

SMARTLIFT.COM

# SL808 Outdoor

