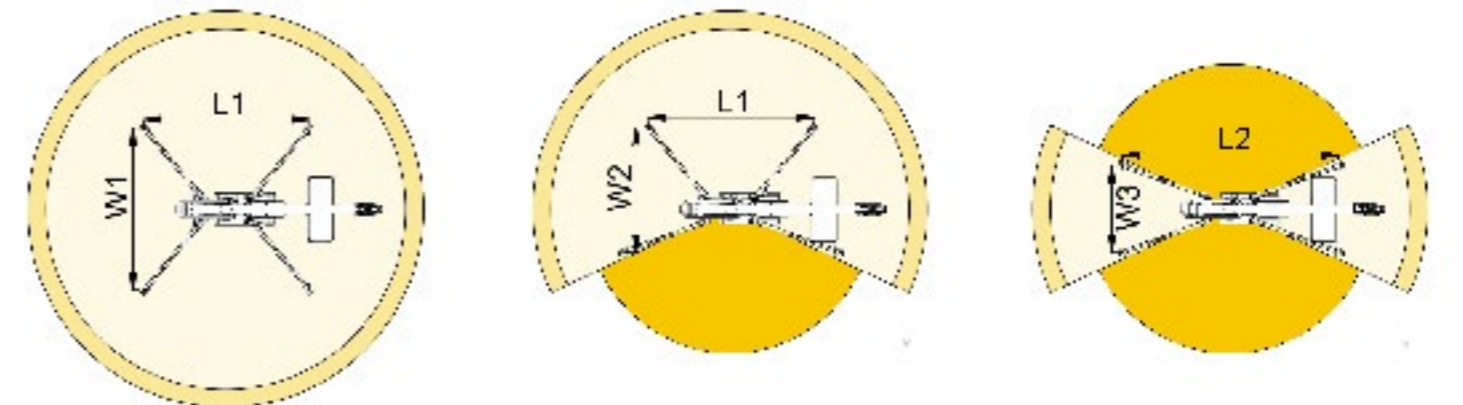
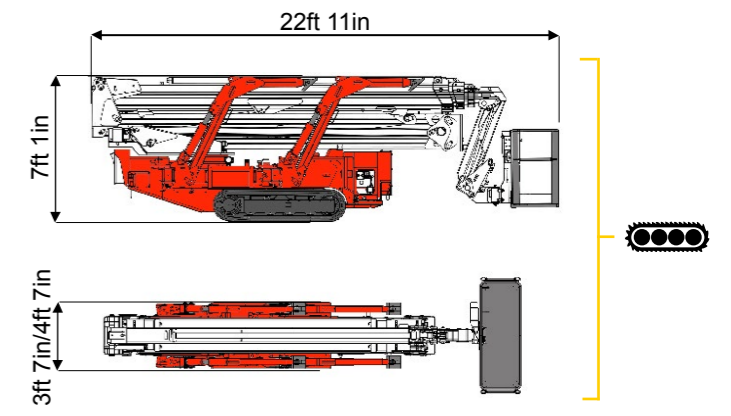
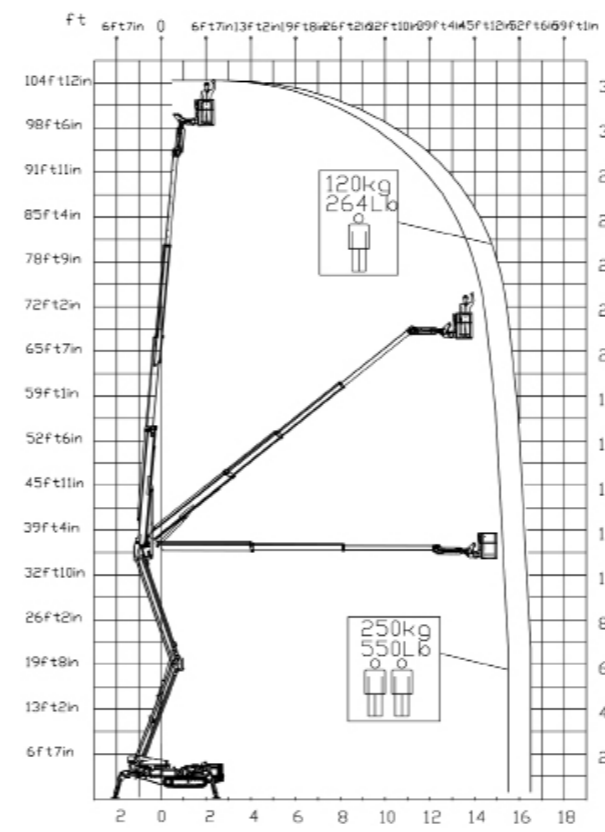




**104ft 12in** ↑  
**54ft 2in** →  
**550 lb** 👤 👤



50ft 10in	54ft 2in	31ft 2in	L1	L2	W1	W2	W3
550 lb	264 lb	264/550 lb	15ft 6in	20ft 3in	16ft 1in	13ft 2in	10ft 3in

**BI-ENERGY**  
Diesel+AC



**TZ 108+/C** 104ft 12in 54ft 2in 34ft 5in 550 lb 170° 660° 5ft 11inx2ft 4in 90°+90° 10ft 3in/16ft 1in 18% 32% 1,49 mph 14770 lb 11014 lb 60,36 psf 111,11 psf

Available version:

- BI-ENERGY (DIESEL+AC)
- ECO (DC+AC)
- HYBRID (DIESEL+DC)

**SOSlocation.ca**  
VENTE · LOCATION · SERVICE · TRANSPORT  
1 - 833 - 360 - 3330

Characteristics and technical data are informative only and subjected to change without notice.



Palazzani Industrie S.p.A.  
Via del Pavione, 4 - 25050 - Paderno F.C. (BS) - Italy  
Tel. (+39) 0306857073  
platforms@palazzani.it  
[www.palazzani.it](http://www.palazzani.it)

COMPANY WITH  
QUALITY SYSTEM  
CERTIFIED BY DNV GL  
= ISO 9001 =