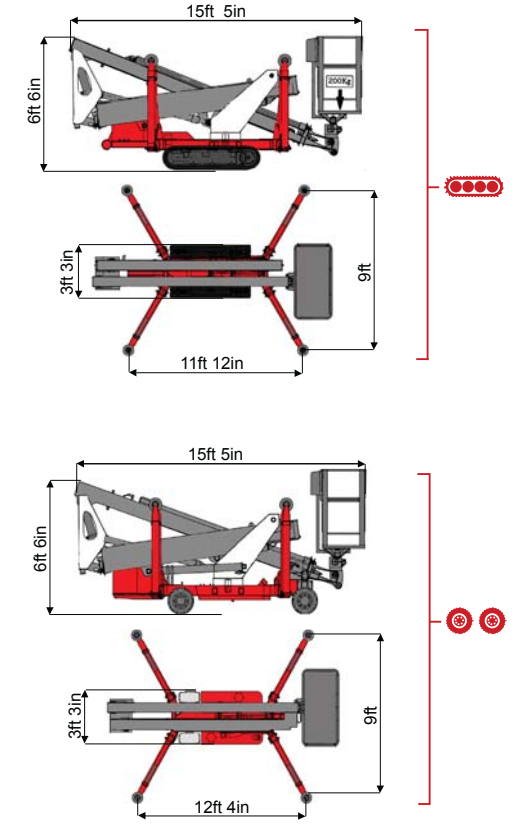
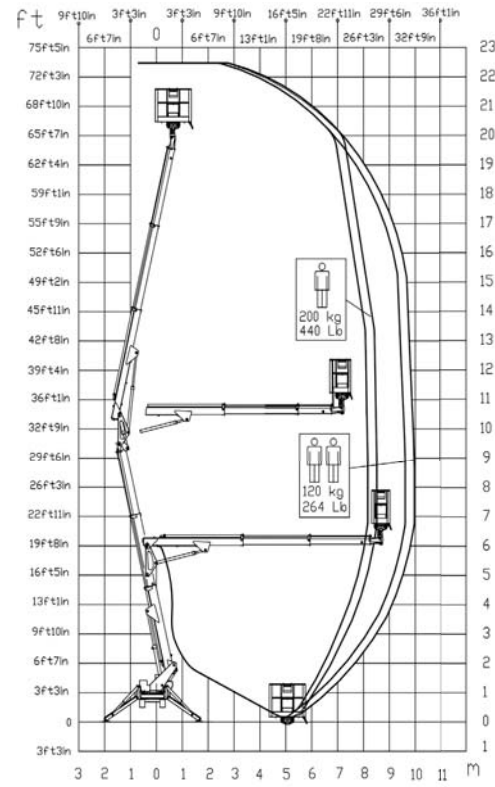




73ft 10in ↑
32ft 10in →
440 lb 👤 👤



BI-ENERGY Diesel+AC																	
TZX 730/C	●●●●			360°	4ft 7in/2ft 4in	90°+90°	9ft-10ft 11in	25%	20%	1,24 mph	5512 lb	4188 lb	8143,2 psf	940 psf	3ft 3in	15ft 5in	6ft 6in
TZX 730/R	⊗ ⊗			360°	4ft 7in/2ft 4in	90°+90°	9ft-10ft 11in	25%	20%	1,24 mph	5512 lb	4188 lb	8143,2 psf	12424 psf	3ft 3in	15ft 5in	6ft 6in

ECO	DC+AC ●●●● ⊗ ⊗	24V 240 A/h 5h	230V-24V 40A	510 lb	3-4 h endless	6h



COMPANY WITH
QUALITY SYSTEM
CERTIFIED BY DNV GL
= ISO 9001 =