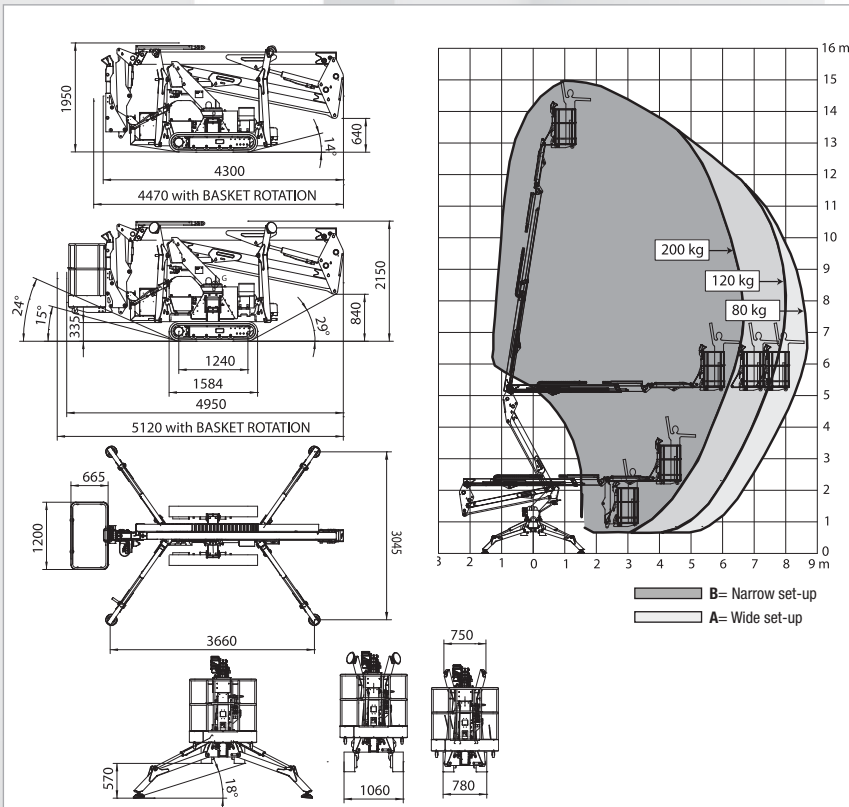


# SERIES SPIDER 15.75

**The Best solution for the maintenance of building frontage**

- Available with KUBOTA diesel engine with liquid cooling
- Available in bi-energy Electric version with 230Vac motor and Lithium-technology batteries
- Easy access to each component for simplified maintenance
- Easy to use with precise and proportional controls
- Equipped with flying jib without any basket capacity restriction

- Air/water and 230Vac outlets are available into the basket
- Fully protected by metal covers against falling objects
- Cranked outrigger design for increased ground clearance
- Quick detach and interchangeable cage



| TECHNICAL SPECIFICATIONS                 |                   |                 |                 |           |
|--|-------------------|-----------------|-----------------|-----------|
|  |                   | STD             | E               | ED        |
| Maximum working height                   | m                 |                 | 15,00           |           |
| Floor height                             | m                 |                 | 13,00           |           |
| Maximum side outreach                    | m                 |                 | 7,40 (120kg)    |           |
| Rotation angle of the tower              | °                 |                 | 360             |           |
| Aluminium basket dimensions              | m                 |                 | 1,30 x 0,70     |           |
| Basket rotation angle                    | °                 |                 | 70+70           |           |
| Maximum capacity of basket               | Kg                |                 | 200             |           |
| Length closed (basket disassembled)      | m                 |                 | 5,00 (4,36)     |           |
| Minimum width closed                     | mm                |                 | 780             |           |
| Minimum height closed                    | mm                |                 | 1950            |           |
| Overall dimensions Stabilization         | m                 |                 | 3,00 x 3,66     |           |
| Maximum horizontal inclination           | degrees/%         |                 | 16° (29%)       |           |
| Maximum side inclination                 | degrees/%         |                 | 17° (31%)       |           |
| Maximum speed                            | Km/h              | 1,5/2,5         | 0,8/1,5         | 1,5/2,5   |
| <b>WEIGHTS</b>                           |                   | <b>STD</b>      | <b>E</b>        | <b>ED</b> |
| Weight in work conditions*               | Kg                | 1.980*          | 2.100*          | 2250*     |
| Ground pressure stowed machine           | KN/m²             |                 | 3,09            |           |
| Ground pressure when on stabilizers      | KN/m²             |                 | 1,87            |           |
| Max point load on one stabilizer         | KN                |                 | 14,30           |           |
| <b>POWER</b>                             |                   | <b>STD</b>      | <b>E</b>        | <b>ED</b> |
| Honda iGX390 petrol engine               | HP/rpm            | 13/3600         | -               | -         |
| Z482 Kubota diesel engine                | HP/rpm            | 13/3200         | -               | -         |
| Electric Motor 230Vac/50Hz (110Vac/60Hz) | CV/KW             | 2,20/3 (1,50/2) | 2,20/3 (1,50/2) | -         |
| Electric Motor 24 Vdc                    | CV/KW             | -               | 3,5/4,8         | 3,5/4,8   |
| Traction battery capacity                | 24Vdc Lead Acid   |                 | 210             | 210       |
|  | 24Vdc Lithium Ion |                 | 300             | 300       |

\* Subject to change depending on configuration.